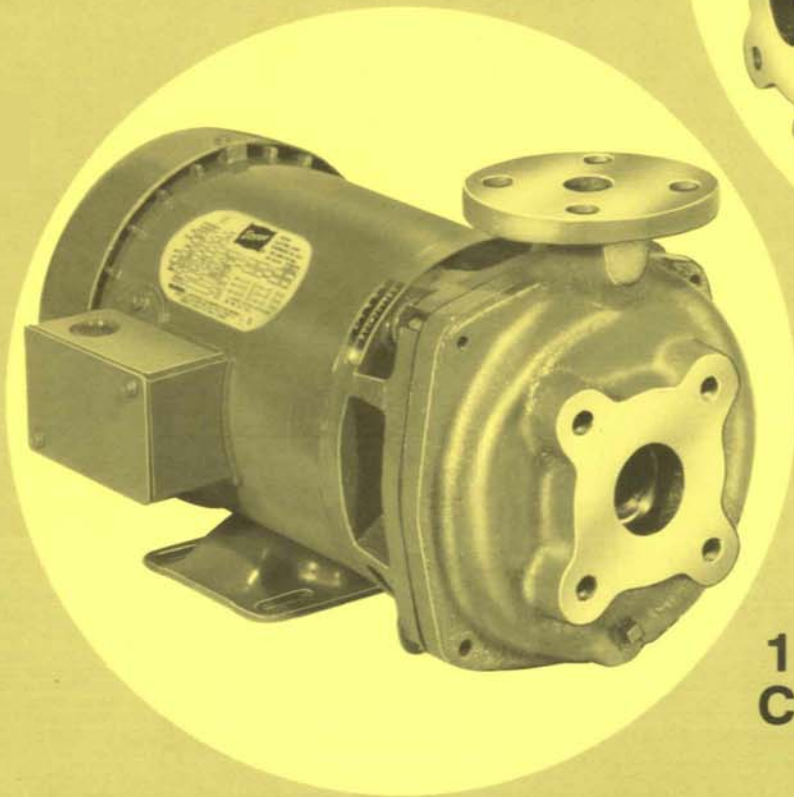
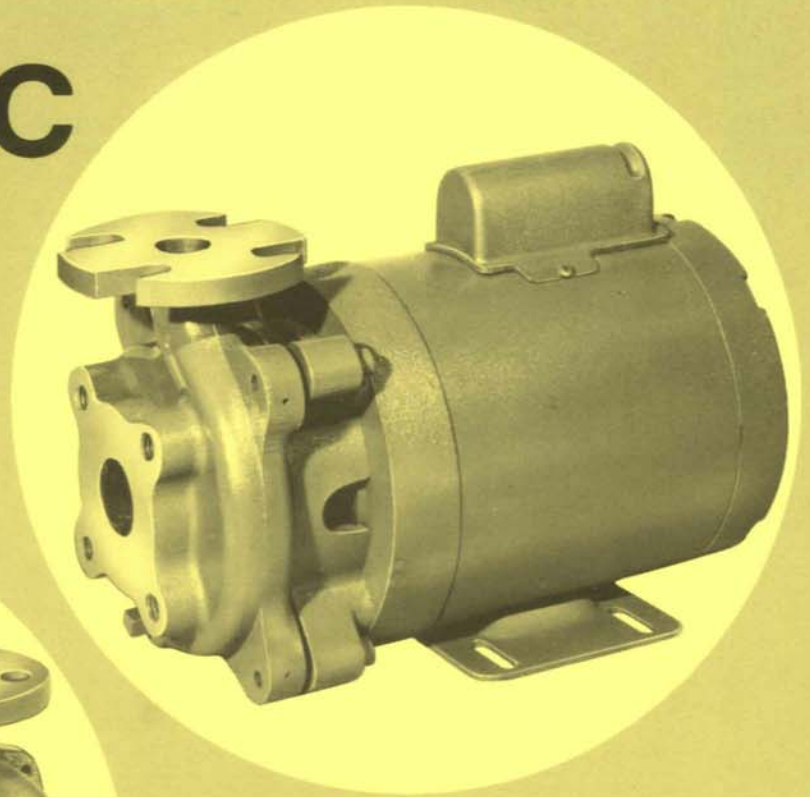


CLASS BPC/BPM

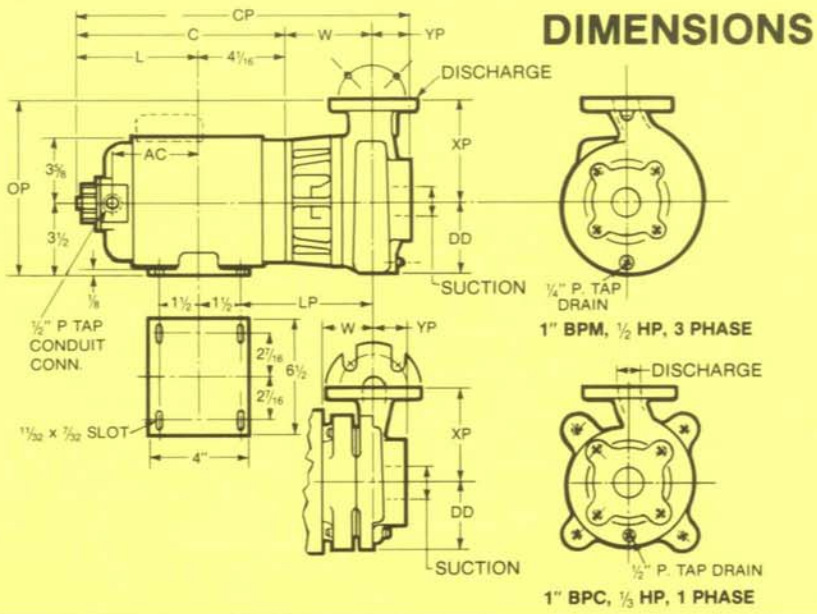
close-coupled centrifugal pumps

1 x 1½
CLASS **BPC**

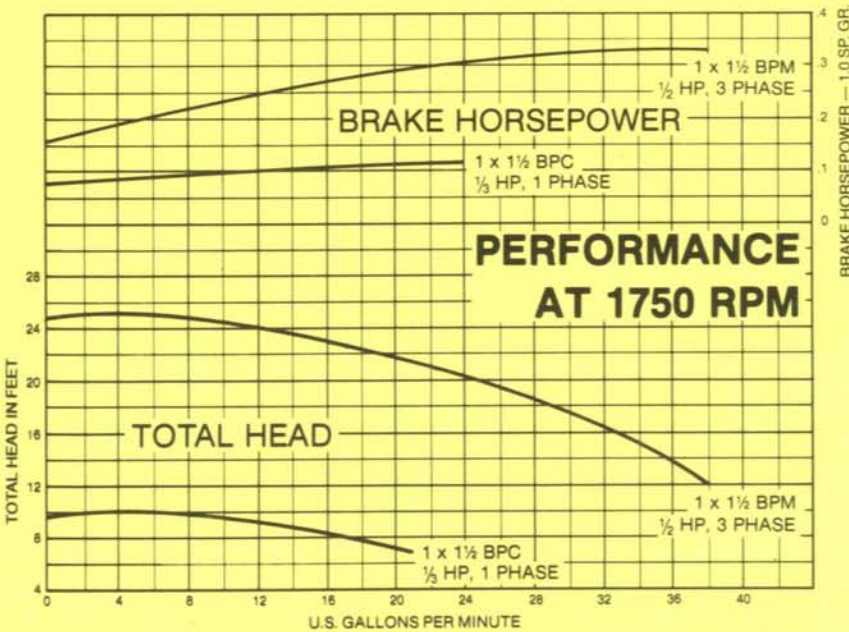


1 x 1½
CLASS **BPM**

**MECHANICALLY SEALED
FRACTIONAL HORSEPOWER**



PUMP DATA					MOTOR DATA							FLANGE DATA			
PUMP SIZE	W	DD	YP	XP	MOT. FR.	C	L	AC	CP	LP	OP	SIZE	1	1 1/2	2
1 x 1 1/2 BPC	2 1/4	3	1 3/8	4 1/4	E56J	9 3/4	5 1/16	3 1/16	13 3/8	4 1/16	7 3/4	OUTSIDE DIA.	4 1/4	5	6
1 x 1 1/2 BPM	3 1/8	3 3/8	1 3/8	4 3/4	56J	9 3/4	5 7/16	3 3/16	13 1/16	5 3/8	8 1/4	BOLT CIRCLE	3 3/8	3 3/8	4 3/4
												NO. & SIZE OF BOLTS	4-1/2	4-1/2	4-5/8
												FLANGE THICKNESS	7/16	7/16	5/8



SALES REPRESENTATIVES

- ALBANY, NY
- ALBUQUERQUE, NM
- ALLENTOWN, PA
- ATLANTA, GA
- (BALTIMORE)
- SEVERNA PARK, MD
- BIRMINGHAM, AL
- (BOSTON) WAKEFIELD, MA
- BUFFALO, NY
- CHICAGO, IL
- CINCINNATI, OH
- CLEVELAND, OH
- COLUMBUS, OH
- (DALLAS) RICHARDSON, TX
- (DENVER) ENGLEWOOD, CO
- DES MOINES, IA
- (DETROIT)
- FARMINGTON HILLS, MI
- GREENSBORO, NC
- GREENVILLE, SC
- HARTFORD, CT
- HOUSTON, TX
- INDIANAPOLIS, IN
- JACKSONVILLE, FL
- KANSAS CITY, MO
- KNOXVILLE, TN
- LOS ANGELES, CA
- LOUISVILLE, KY
- MEMPHIS, TN
- MIAMI, FL
- MILWAUKEE, WI
- MINNEAPOLIS, MN
- NEW ORLEANS, LA
- (NEW YORK) DARIEN, CT
- (NORTHERN NEW JERSEY)
- PLUCKEMIN, NJ
- OKLAHOMA CITY, OK
- (PHILADELPHIA)
- WYNNWOOD, PA
- PHOENIX, AZ
- PITTSBURGH, PA
- RICHMOND, VA
- (ROCHESTER) WEBSTER, NY
- ST. LOUIS, MO
- SALT LAKE CITY, UT
- SAN ANTONIO, TX
- (SAN FRANCISCO)
- EMERYVILLE, CA
- (SEATTLE) BELLEVUE, WA
- SYRACUSE, NY
- TAMPA, FL
- TOLEDO, OH
- TULSA, OK
- (WASHINGTON) ROCKVILLE, MD

In Canada:

- CALGARY, ALTA.
- EDMONTON, ALTA.
- HAMILTON, ONT.
- KITCHENER, ONT.
- MONTREAL, QUE.
- OTTAWA, ONT.
- SAINT JOHN, N.B.
- SARNIA, ONT.
- SASKATOON, SASK.
- TORONTO, ONT.
- VANCOUVER 10, B.C.
- WINNIPEG, MAN.

In Mexico:

- GUADALAJARA, JAL.
- MEXICO CITY, D.F.
- MONTERREY, N.L.

PUMP DIVISION/BUFFALO, NEW YORK 14240

